

**Fully automated non-stop all-round surveillance with immediate large coverage**

The Viseum Intelligent CCTV Trailer is redeployed from one location to the next and fully operational within minutes. Providing complete automated panoramic 360° long range coverage. An area the size of **4 Olympic Stadiums**. In all directions simultaneously Viseum iVOS™ software automatically:

- Monitors all of Viseum's fixed contextual view cameras to detect security threats.
- Controls Viseum's PTZ camera to zoom into, confirm the incident, capture security threats and follow suspects.
- Records multiple views of each incident with close-up forensic video evidence, of even before the alarms is received.

**This mobile CCTV solution gives the best deterrent and crime clear up:**

- Suspects and Intruders see the PTZ camera follow them immediately, making them believe the site is under constant manned surveillance.
- Multiple intruder attack and diversion tactics are managed by having the PTZ camera intelligently switch to follow all required action.
- Viseum's Intelligent CCTV system follows all suspects no matter where they enter or leave the site, if they speed up, slow down or change direction.

**Viseum IMC Intelligent Moving Camera**

- Monitoring range from 2m up to 400m in all directions at the same time.
- Largest effective CCTV coverage - **Virtual Gigapixel**.
- Operates completely automatically with manual override.
- Onboard recordings for primary use or backup storage.
- 7 cameras in a single unit for 360° long range coverage.
- At least 25 times more court quality evidence.



Customised solar powered



Visit us at <https://www.viseum.co.uk>

Viseum IMCs have been granted 20 years' patent protection

**Any non-Viseum branded IMC system will be noticeably inferior and an illegal copy in breach of International Law**

Patent Portfolio - European EP 1 579 399 | United States of America US 7,952,608 B2

**THE CCTV AND SURVEILLANCE INDUSTRY-STANDARD DETERRENT  
 AND AUTOMATED SECURITY AND SITUATIONAL AWARENESS**

**ONE CAMERA DEPLOYMENT  
 COVERS UP TO THE SIZE OF  
 4 OLYMPIC STADIUMS**



**LEVEL 1  
 TECHNOLOGY  
 INTRODUCTION  
 PROGRAMME**

**ONVIF  
 Compliant**

**VEISEUM PRIVACY**



**THE WORLD'S BEST CCTV SECURITY  
 AND SURVEILLANCE CAMERA**

THE WORLD'S ONLY LONG-RANGE ANALYTICS 360° PANORAMIC SECURITY CAMERA

- Britain's Largest Police Force "Our best crime deterrent" – Described by them as a virtual gigapixel camera, a virtual CCTV operator and a virtual guard.
- Operates completely automatically covering large areas – Identifying, confirming and following incidents close up and in every direction.
- Multi-HD-Camera view of each incident – PTZ Camera close-up view and wide contextual views.

**CUSTOMISED SOFTWARE TECHNOLOGY SERVICES:**

**Making people's faces the world's greatest security weapon against crime and terrorism.**

**Automatic detection, capture and processing of traffic violations for the world's safest roads.**

**FIND, FIX AND FOLLOW**

Visit us at <https://www.viseum.co.uk>

Viseum IMCs have been granted 20 years' patent protection

**Any non-Viseum branded IMC system will be noticeably inferior and an illegal copy in breach of international law**

Patent Portfolio - European EP 1 579 399 | United States of America US 7,952,608 B2



**A completely self-contained rapid camera deployment for immediate large coverage**

Securely managed remotely via Internet using 4/5G and/or WiFi communications.

Using the best-in-class Ruggedized Viseum IMC camera, this mobile CCTV clears up crime on the largest possible scale per camera. Faster than any other crime reduction initiative short of having resident security teams permanently on alert. This mobile CCTV trailers effectiveness as a crime deterrent and evidential tool is enhanced by its ease of redeployment, and its onboard power supply. Optional extended batteries lasting up to 5 days encourages its regular use to follow, clear up and deter, crime and disorder, whenever and wherever it occurs.

**Before Viseum** – Many environments either went without CCTV or had it at high cost of installation and monitoring. Still with little results.

**Now we have Viseum** – Viseum CCTV cameras are not dependent on CCTV infrastructures. Many temporary environments and applications can enjoy effective CCTV protection:

- No CCTV Infrastructures needed for deterring and clearing up crime spots.
- No, or much fewer, surveillance operators and command control rooms - no risk of harm to local operator, fatigue or infrastructure downtime.
- No planning permission, way leave agreements, specialist engineers or cherry pickers for deployments.
- No need for high bandwidth communications (fibre optics, etc) or central recordings.
- No need to leave CCTV trailer host vehicle on site and risking its damage.

**Modular all-terrain specifications**

The Intelligent CCTV trailer has a selection of modules for on-road, semi off-road or fully off-road use. The varied components to support alternative ground clearances and terrains are:

- Size and tread of main and jockey wheel tyres.
- Suspension units for varied ride heights.
- Stabiliser legs for different distances to the floor.

**Mast specifications**

- Telescopic mast for easier smoother erection limiting camera movement in high winds.
- Trailer high with mast from 4m up to 7.7m fully erected.

**Solar power modules**

- No external power requirements.
- Can operate maintenance free for up to 6 months.

**Rapid, safe and easy CCTV trailer deployments**

Advanced telescopic mast easily raised with a few turns of the crank for stability in high winds.  
High wheel clearance for easier towing and higher lockable hinged side plates for faster wheel changes.  
Can be easily moved into position by hand but when lowered to the ground it is solid as a rock.  
Vandal resistant with optional anti-climb bars, and onboard tamper alerts and PA speakers.

**Fully redeployed and operational safely within minutes by only one person.**

- Internal wiring for car to trailer lighting board attachments.
- Top cover easily raised for CCTV equipment cabinet access.

**Optional 3rd party systems integration**

The Intelligent CCTV Trailer integrates seamlessly with any Command Control or mobile observation post. This offers the best of both worlds where Viseum's machine-to-machine intelligent automation interplays with human vigilance. Also integrates with many customised systems to simplify deployment options.

- IP54 rated 15U equipment cabinet for customer's own system integration equipment.
- All customisations are completed within standard project delivery times at factory.
- All cabling protected inside mast or with armoured trunking.

**Advanced BS8418 compliance**

The Intelligent CCTV Trailer is fully compliant to BS8418 detection activated requirements. It can be instructed to automatically protect populated wide areas during the day, and automatically switch to monitor unpopulated intruder environments during the night.

Viseum's fixed contextual view CCTV cameras, analysed by Viseum's Intelligent Virtual Operator Software (iVOS), **eliminate false PIR triggers** to optimize manned response CCTV.



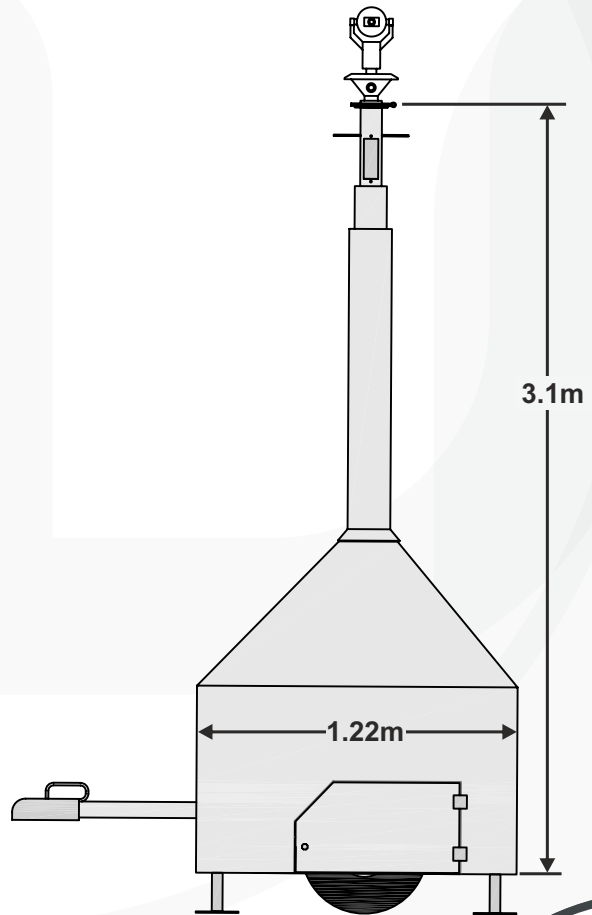
# Ruggedized Telescopic Model



6.38m  
standard

Dual Signal  
Boosters

360° IR  
Illumination



Visit us at <https://www.viseum.co.uk>

Viseum IMCs have been granted 20 years' patent protection

Any non-Viseum branded IMC system will be noticeably inferior and an illegal copy in breach of International Law

Patent Portfolio - European EP 1 579 399 | United States of America US 7,952,608 B2

### Quality compliance as delivered for the Olympics public security event

- **Health and Safety** - Deployment method statement and risk assessment compliant to Regulation 3 of the Management of Health and Safety at Work Regulations 1999.
- **Road Worthiness** - Compliant to VOSA Individual Vehicle Approval (IVA) for Category 01 Trailer.
- **Wind Loading** - Compliant to BS 6399:2.
- **Electrical** - Portable Appliance Tested (PAT) in accordance with the IEE code of Practice for 'in service inspection and testing of electrical equipment' for a Class 1 Type appliance.

### CCTV trailer physical

- **Dimensions** - Height 6m (up to 7.7m on request) x Width 1.22m x Depth 1.22m.
- **Weight** - 750 kg.
- **Mains and Battery Power** - 110-240 Vac @ 50/60Hz Mains - Unique design supplying power to all trailer components.
  - Power Consumption: 150 Watts (peak).
  - Comes with 3 hour battery backup as standard. Can have up to 4 x 18 hours extended long-life batteries.
  - Optional solar module - up to around 6 months extended power depending on weather.
- **Operating Temperature** - Various models between -40 to +65°C.



### Video surveillance inputs/outputs

- **CCTV Camera Inputs** - 6 Wide Contextual View Cameras and 1 Moving PTZ camera at up to 25 FPS, all at Full HD or PAL 768 x 576 resolution. 1 spare camera input for auxiliary camera.
- **LAN or WAN** - 2 x Industrial Firewallled Ethernet Ports.
- **Digital I/O** - 8 x digital inputs and 8 x digital outputs.

### Wireless video surveillance communications

- **Signal Strength** - Dual antenna signal boosters on top of the mast for optimal signal strength.
- **WiFi** - 802.11a/b/g enabled.
- **Cellular Communications (4/5G and GSM)** - Wireless TCP/IP WAN router/gateway (dependant on network availability) and VPN appliance providing secure high-speed wireless remote connectivity (major UK police force approved).

### Video surveillance equipment cabinet

Aluminium with efficient fan assisted airflow/heat dissipation management. Thermostat controlled internal temperature regulation. In high temperatures fan assisted airflow dissipates heat through a filtered exhaust vent, in low temperatures the fan system is switched off and the enclosure is self heated.

- **IP54** - Weather proof rated.
- **Dimensions** - L400mm x W325mm x D350mm.

### Other optional extras

- **Wireless Communications** - long-range wireless broadband.
- **Audio Challenge** - 2 way or 1 way audio - PA challenge and audio monitoring.
- **Tamper** - Automated siren on tamper activation and/or transmission of tamper alarm.
- **Viseum Standalone Power Management System** - Fuel generator, gas cylinders, power cells, backup batteries.



Also used to protect the construction and operation of the Olympic Park.

Viseum sponsors many of the world's major public events with our security and video surveillance.



Visit us at <https://www.viseum.co.uk>

Viseum IMCs have been granted 20 years' patent protection

Any non-Viseum branded IMC system will be noticeably inferior and an illegal copy in breach of International Law

Patent Portfolio - European EP 1 579 399 | United States of America US 7,952,608 B2